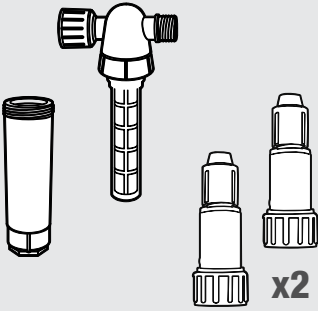


Convert Spray Head To Drip Irrigation!

Universal Conversion Kit Installation Guide

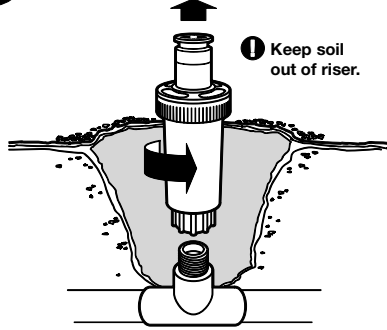
Doc# AF_Univ_Conv_Guide_Aug_2012

Conversion Kit Installation



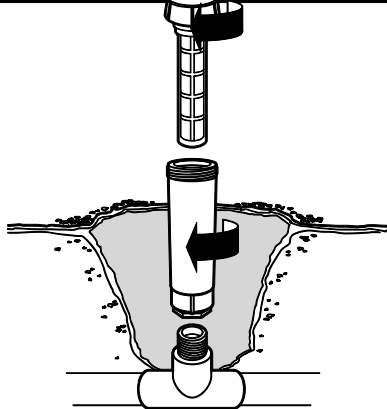
Part # FR2 17-710

1 Install Conversion Kit



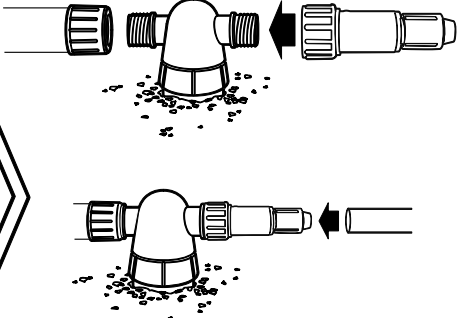
1.) Identify sprayhead to use as water supply
2.) Remove pop-up sprayhead

2



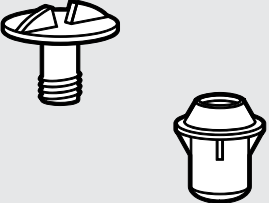
3.) Remove filter and adaptor top from canister.
4.) Screw canister onto riser pipe.
5.) Flush system before adding filter and adaptor top.
6.) Reassemble filter and adaptor assembly.
7.) Replace soil.

3



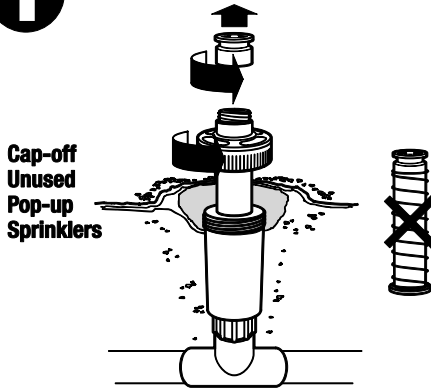
8.) Connect 16, 17 or 18mm tubing.
9.) Cap-off any unused adapter outlet

Cap-off Installation



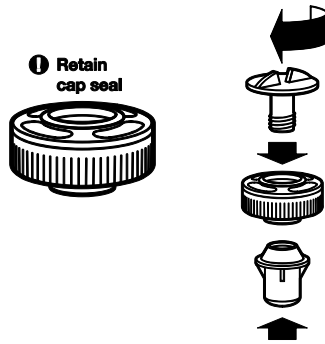
Part # CAP POP/25

1



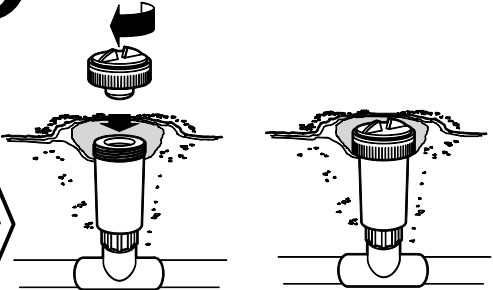
1.) Remove internal sprinkler components (the stem nozzle and spring).

2



2.) Retain cap and seal from spray head.
3.) Disassemble cap-off device.
4.) Place tab portion through top of spray head cap.
5.) Thread on lower portion of cap-off device.
6.) Tighten lower portion to seal.

3



7.) Thread completed assembly onto spray head.

