

## **Style 65 One-Piece Flush Escutcheon Style 401 Two-Piece Deep Escutcheon 1/2 Inch and 3/4 Inch NPT**

### **General Description**

The Tyco® Style 65 and 401 Escutcheon Plates illustrated in Figures 1 and 2 are designed for use with pendent and horizontal sidewall automatic sprinklers in fire protection systems where the piping is installed above a ceiling or behind a wall. They are used to improve the overall appearance of the installation by concealing the clearance holes required for the connecting piping and fittings to the sprinkler.

The Escutcheon Plates are available in two styles: Style 65 flush one-piece (non-adjustable), and Style 401 deep two-piece (adjustable).

The flush one-piece (non-adjustable) Style 65 Escutcheon Plates (Fig. 1) are used where the position of the sprinkler "escutcheon plate seating surface" (relative to the ceiling line or wall) can be fixed by adjusting the length of the interconnecting piping.

The two-piece Style 401 Escutcheon Plates (Fig. 2) are used where it is necessary to position the sprinkler away from the ceiling/wall surface so that spray will not be adversely affected by protruding obstructions such as light fixtures and HVAC diffusers.

The adjustment provided by the Style 401 Escutcheon Plates reduces the accuracy to which the length of the fixed pipe drops or horizontal pipe runs to the sprinklers must be cut, and it provides additional flexibility in the interconnecting pipe.

The separable, two-piece design of the Style 401 allows installation of the sprinklers and pressure testing of the fire protection system/evaluation of leak tightness prior to installation of a suspended ceiling or application of the finish coating to a fixed ceiling. They also permit the removal of suspended ceiling panels, for access to building service equipment, without having to first shut down the fire protection system and remove sprinklers.

### **WARNINGS**

*The Style 65 and 401 Escutcheons described herein must be installed and maintained in compliance with this document, as well as with the applicable standards of the National Fire Protection Association, in addition to the standards of any other authorities having jurisdiction. **Failure to do so may impair the performance of these devices.***

*The owner is responsible for maintaining their fire protection system and devices in proper operating condition. The installing contractor or sprinkler manufacturer should be contacted with any questions.*

### **Technical Data**

#### **Approvals**

With reference to NFPA 13, listings/approvals are not required for metallic escutcheons used for non-recessed applications.

#### **Finishes**

Chrome, White, or Brass

#### **Material**

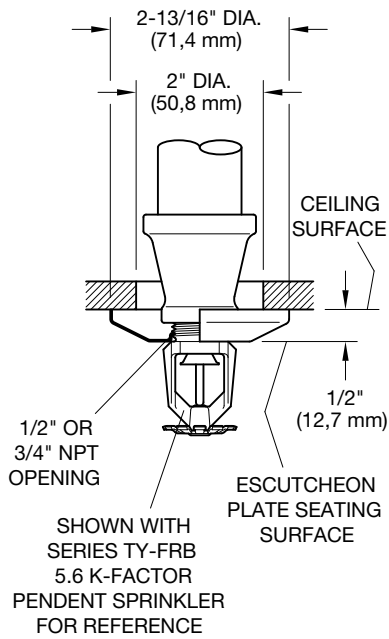
Carbon Steel



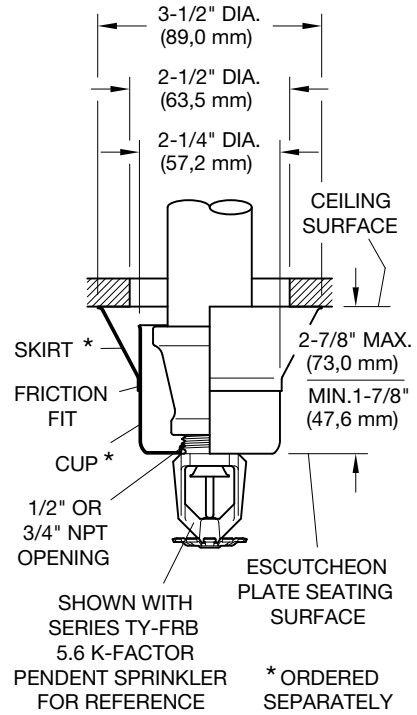
**STYLE 65  
ONE-PIECE ESCUTCHEON**



**STYLE 401  
TWO-PIECE ESCUTCHEON**



**FIGURE 1**  
**STYLE 65 ONE-PIECE**  
**FLUSH ESCUTCHEON**



**FIGURE 2**  
**STYLE 401 TWO-PIECE DEEP**  
**ADJUSTABLE ESCUTCHEON**

## Installation

### NOTES

*A leak tight 1/2 inch NPT sprinkler joint should be obtained with a torque of 7 to 14 ft.lbs. and 10 to 20 ft.lbs. should be sufficient for a 3/4 inch NPT sprinkler. Higher levels of torque may distort the sprinkler orifice seat with consequent leakage.*

*Do not attempt to make-up for insufficient adjustment in an Escutcheon Plate by under- or over-tightening the sprinkler. Readjust the position of the sprinkler fitting to suit.*

### Style 65

The pipe connected to the sprinkler fitting must be cut so that the “escutcheon plate seating surface” is at the proper nominal distance in front of the wall or below the ceiling. Manufacturing variations in the take-out of the fittings as well as the make-in of the sprinklers (as permitted by ANSI B1.20.1) may require that trial cuts of the connecting pipe be made.

Proceed with the assembly as follows:

**Step 1.** Insert the threaded end of the sprinkler through the Escutcheon Plate.

**Step 2.** Apply pipe thread sealant sparingly to the sprinkler threads only. Use of a non-hardening type of Teflon based pipe thread sealant is recommended.

**Step 3.** Hand tighten the sprinkler with the attached Escutcheon Plate into the sprinkler fitting.

**Step 4.** Using the appropriate sprinkler wrench, tighten the sprinkler into the fitting.

### Style 401

The pipe connected to the sprinkler fitting must be cut so that the “escutcheon plate seating surface” is at the proper nominal distance in front of the wall or below the ceiling.

Proceed with the assembly as follows:

**Step 1.** Separate the two pieces of the Escutcheon Plate and screw the cup onto the sprinkler until the plate is engaged onto the last thread of the sprinkler.

**Step 2.** Apply a brush-on pipe thread sealant sparingly to the sprinkler threads only. Use of a non-hardening type of Teflon based pipe thread sealant is recommended.

**Step 3.** Hand tighten the sprinkler with the attached inner plate into the sprinkler fitting.

**Step 4.** Using the appropriate sprinkler wrench, tighten the sprinkler into the fitting.

**Step 5.** After a suspended ceiling has been installed or the finish coat has been applied to a wall or fixed ceiling (as appropriate), align the detents in the skirt over those in the cup and then slide the cup over the skirt until it comes in contact with the mounting surface. Do not push the skirt such that it will lift a ceiling tile out of its normal position.

Holding the skirt in contact with the mounting surface, rotate the skirt approximately 1/8-turn in relation to the cup creating a friction fit between the skirt detents and the cup wall, to hold the Escutcheon Plate firmly together.

## Care and Maintenance

The following inspection procedure must be performed as indicated, in addition to any specific requirements of the NFPA. Any impairments must be immediately corrected.

The owner is responsible for the inspection, testing, and maintenance of their fire protection system and devices in compliance with this document, as well as with the applicable standards of the National Fire Protection Association (e.g., NFPA 25), in addition to the standards of any authority having jurisdiction. The installing contractor or product manufacturer should be contacted relative to any questions.

It is recommended that automatic sprinkler systems be inspected, tested, and maintained by a qualified Inspection Service in accordance with local requirements and/or national codes.

After placing a fire protection system in service, notify the proper authorities and advise those responsible for monitoring proprietary and/or central station alarms.

## Limited Warranty

Products manufactured by Tyco Fire & Building Products (TFBP) are warranted solely to the original Buyer for ten (10) years against defects in material and workmanship when paid for and properly installed and maintained under normal use and service. This warranty will expire ten (10) years from date of shipment by TFBP. No warranty is given for products or components manufactured by companies not affiliated by ownership with TFBP or for products and components which have been subject to misuse, improper installation, corrosion, or which have not been installed, maintained, modified or repaired in accordance with applicable Standards of the National Fire Protection Association, and/or the standards of any other Authorities Having Jurisdiction. Materials found by TFBP to be defective shall be either repaired or replaced, at TFBP's sole option. TFBP neither assumes, nor authorizes any person to assume for it, any other obligation in connection with the sale of products or parts of products. TFBP shall not be responsible for sprinkler system design errors or inaccurate or incomplete information supplied by Buyer or Buyer's representatives.

In no event shall TFBP be liable, in contract, tort, strict liability or under any other legal theory, for incidental, indirect, special or consequential damages, including but not limited to labor charges, regardless of whether TFBP was informed about the possibility of such damages, and in no event shall TFBP's liability exceed an amount equal to the sales price.

The foregoing warranty is made in lieu of any and all other warranties, express or implied, including warranties of merchantability and fitness for a particular purpose.

This limited warranty sets forth the exclusive remedy for claims based on failure of or defect in products, materials or components, whether the claim is made in contract, tort, strict liability or any other legal theory.

This warranty will apply to the full extent permitted by law. The invalidity, in whole or part, of any portion of this warranty will not affect the remainder.

## Ordering Procedure

When placing an order, indicate the full product name. Contact your local distributor for availability.

### Style 65

Specify: Style 65 Flush One-Piece Escutcheon with (1/2 or 3/4) NPT Opening and (Chrome, White, or Brass) Finish, P/N (specify).

#### Style 65 One-Piece Escutcheon

1/2" Chrome .....	P/N 1153
3/4" Chrome .....	P/N 1152
1/2" White .....	P/N 1174
3/4" White .....	P/N 1175
1/2" Brass .....	P/N 1150
3/4" Brass .....	P/N 1184

### Style 401 Cup\*

Specify: Style 401 Cup with (1/2 or 3/4) NPT Opening and (Chrome, White, or Brass) Finish, P/N (specify).

#### Style 401 Cup

1/2" Cup. Chrome .....	P/N 1192
3/4" Cup. Chrome .....	P/N 1193
1/2" Cup. White .....	P/N 1196
3/4" Cup. White .....	P/N 1197
1/2" Cup. Brass .....	P/N 1194
3/4" Cup. Brass .....	P/N 1195

### Style 401 Skirt\*

Specify: Style 401 Skirt with (Chrome, White, or Brass) Finish, P/N (specify).

#### Style 401 Skirt

Chrome .....	P/N 1198
White .....	P/N 1200
Brass .....	P/N 1199

\* The Cup and Skirt are ordered separately for the Style 401 Escutcheon.