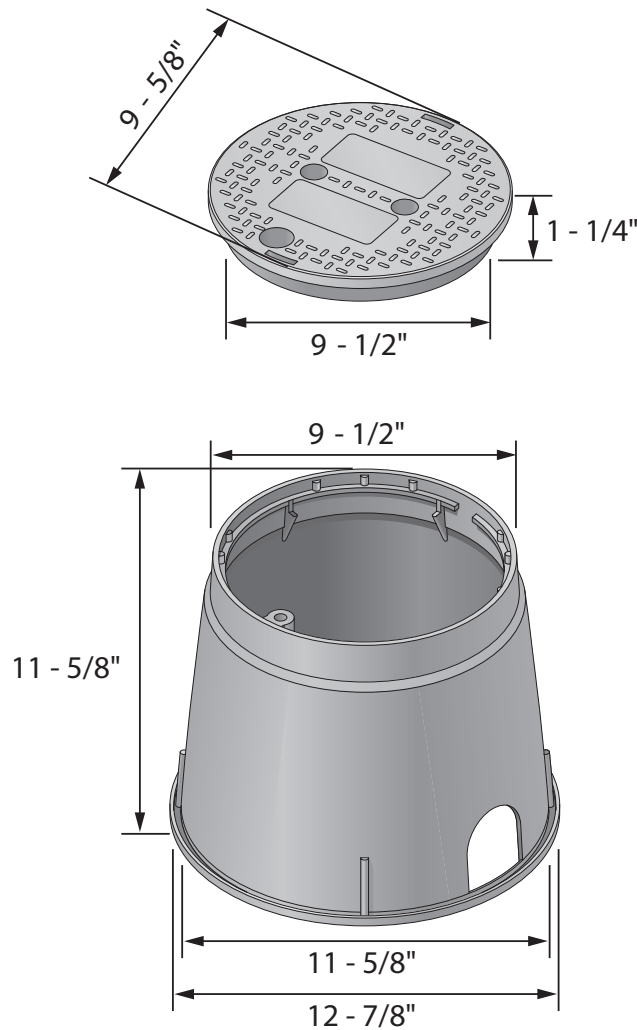


## NDS Standard Series 10" Round Valve Boxes

Specifications: The NDS STANDARD SERIES 10" round valve boxes and covers are injection molded of structural foam polyolefin material with a melt index between 10-12. Coloring and UV stabilizers are added, along with processing lubricants when needed. The 10" round body shall be tapered and have a minimum wall thickness of .200". The cover seat area shall have 6 structural support ribs on the underside of the seat, each with a minimum thickness of .250". The bottom of the body shall have a .500" flange. The 10" round cover shall have an average thickness of .250".



2-1/2" x 2-3/4" Pipe Slot

Part Number	Box Description	Cover Description - Marking	Color (Box/Cover)	Pallet Qty	Weight Ea
<b>Box &amp; Cover</b>					
111BC	10" Round Box	Round Overlapping Cover - ICV	Black/Green	180	3.00
111BCB	10" Round Box	Round Overlapping Bolt-Down Cover - ICV	Black/Green	180	3.00
111BC SAND	10" Round Box	Round Overlapping Cover - ICV	Sand/Sand	180	3.00
111BCR	10" Round Box	Round Overlapping Cover - Reclaimed Water	Black/Purple	180	3.00
111PBCR	10" Round Box	Round Overlapping Cover - Reclaimed Water	Purple/Purple	180	3.00
111BCW	10" Round Box	Round Overlapping Cover - Water	Black/Green	180	3.00
111BCS	10" Round Box	Overlapping Cover - Sewer	Black/Green	180	3.00
111BCBS	10" Round Box	Overlapping Bolt-Down Cover - Sewer	Black/Green	180	3.00
112BC	10" Round Box	Round Overlapping Cover - ICV	Green/Green	180	3.00

<b>Cover Only</b>					
111C		10" Round Overlapping Cover - ICV	Green	300	1.00
111C SAND		10" Round Overlapping Cover - ICV	Sand	300	1.00
111CR		10" Round Overlapping Cover - Reclaimed Water	Purple	300	1.00
111CEB		10" Round Overlapping Cover - Electrical	Black	300	1.00
111CE-GY		10" Round Overlapping Cover - Electrical	Gray	300	1.00
111CW		10" Round Overlapping Cover - Water	Green	300	1.00
111CS		10" Round Overlapping Cover - Sewer	Green	300	1.00
111C CATV		10" Round Overlapping Cover - CATV	Green	300	1.00
111CE		10" Round Overlapping Cover - Electrical	Green	300	1.00
111CH		10" Round Overlapping Cover - With Hole, ICV	Green	300	1.00

<b>Box Only</b>					
111B	10" Round Box		Black	180	2.00
111B SAND	10" Round Box		Sand	180	2.00
111PB	10" Round Box		Purple	180	2.00
111BB		1-1/4" x 5/16 SS Bolt	Steel	1	0.10

Call for additional options and availability

Properties of Unfoamed Resin		
	ASTM Test Method	Polyolefin
Tensile Strength, Yield	ASTM D 638	3100-4400 PSI
Density	ASTM D 792	.900-.956
Notched Izod Impact Strength	ASTM D 256	4-15 ft. lbs/in.
Heat Deflection Temperature @ 66 PSI, Degrees F.	ASTM D 648	165-212 degrees F.

Shipping Configuration	
	Box & Cover
Pallet	180
Pieces per Stack	10
Stack per Pallet	25
Pallet Dimensions	40"x48"x35 1/2"



NDS Customer Service  
851 N. Harvard Ave  
Lindsay, CA 93247  
Phone: (800) 726-1994  
(559) 562-9888  
Fax: (800) 726-1998  
(559) 562-4488

www.NDSPRO.com