

759 Brass Ball Valve • Spec Sheet



FEATURES & BENEFITS

- Full Port
- Forged Brass
- Two Piece Body
- Teflon Seats
- Blow-Out Proof Stem
- Chrome Plated Solid Brass Ball
- Thread Ends Comply Per ANSI B2.1
- Conforms to MSS-SP-110
- 1/4" - 2" Rated: 600 PSI Non- Shock CWP - 150 PSI SWP
- 2-1/2" - 4" Rated: 400 PSI Non- Shock CWP - 100 PSI SWP
- CSA Gas Approved to 2" (IPS Only)

APPLICATIONS

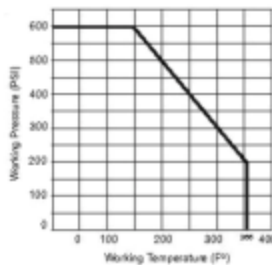
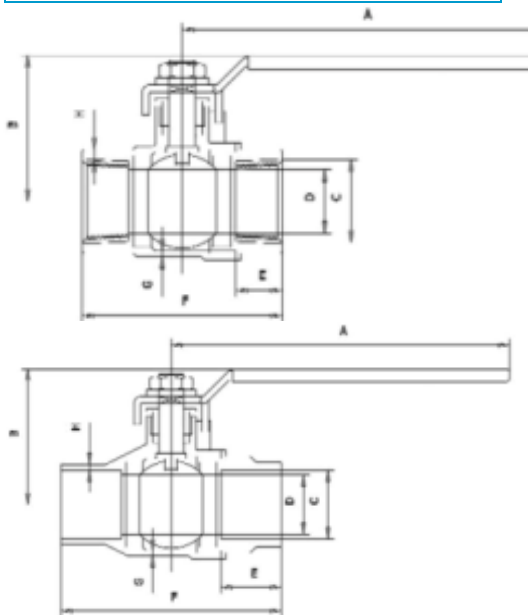
- Commercial & Light Industrial/ Steam, Water, Oil, Gas, Air

IPS DIMENSIONS

Size	A	B	C	D	E	F	G	H
1/4"	3.50	1.75	.54	.39	.40	1.71	.06	.10
3/8"	3.50	1.75	.68	.39	.40	1.71	.06	.10
1/2"	3.50	2.00	.84	.59	.51	2.09	.07	.18
3/4"	4.38	2.15	1.05	.72	.56	2.40	.07	.18
1"	4.38	2.50	1.32	.89	.67	2.92	.08	.18
1-1/4"	5.77	2.83	1.67	1.26	.68	3.30	.10	.20
1-1/2"	5.77	3.02	1.91	1.57	.69	3.66	.11	.20
2"	5.77	3.50	2.25	1.97	.71	4.00	.14	.20
2-1/2"	9.35	4.66	3.00	2.56	.88	6.05	.14	.20
3"	9.75	4.97	3.51	2.95	1.00	6.57	.14	.22
4"	10.75	5.81	4.50	3.90	1.16	7.25	.16	.27

C X C DIMENSIONS

Size	A	B	C	D	E	F	G	H
1/2"	3.50	2.00	.64	.59	.51	2.26	.07	.08
3/4"	4.38	2.25	.89	.79	.76	2.84	.07	.08
1"	4.38	2.50	1.14	.98	.88	3.34	.08	.08
1-1/4"	5.75	2.83	1.39	1.26	1.11	4.18	.10	.09
1-1/2"	5.75	3.00	1.65	1.57	1.11	4.50	.11	.09
2"	5.75	3.30	2.15	1.97	1.35	5.41	.14	.12
2-1/2"	7.87	4.75	2.62	2.56	1.47	6.25	.14	.14
3"	9.84	5.00	3.16	2.95	1.67	7.24	.14	.14
4"	9.84	5.75	4.17	3.90	2.18	9.31	.16	.14



MATERIAL SPECIFICATION

Part	Material	ASTM Spec
Nut	Zinc Plated Brass	B16-C36000
Lock Washer	Zinc Plated Brass	B16-C36000
Handle	Zinc Plated Brass	A283-D
Packing Gland	Brass	B124-C37700
Packing	Teflon	PTFE
Stem	Brass	B16
Seat Ring	Teflon	PTFE
Ball	Chrome Plated Brass	B124-C37700
End Cap	Forged Brass	B124-C37700
Body	Forged Brass	B124-C37700

MATCO-NORCA

Global sourcing. National compliance. Local service.

759 Brass Ball Valve With Locking Handles • Spec Sheet



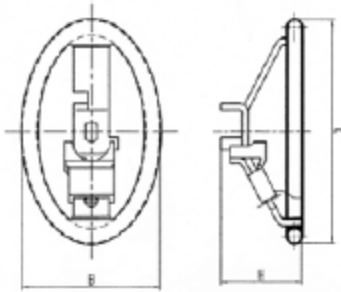
FEATURES & BENEFITS

- Full Port
- Forged Brass
- Two Piece Body
- Teflon Seats
- Blow-Out Proof Stem
- Chrome Plated Solid Brass Ball
- Thread Ends Comply Per ANSI B2.1
- Conforms to MSS-SP-110
- 1/4" - 2" Rated: 600 PSI Non- Shock CWP - 150 PSI SWP
- 2-1/4" - 4" Rated: 400 PSI Non- Shock CWP - 100 PSI SWP
- CSA Gas Approved to 2" (IPS Only)

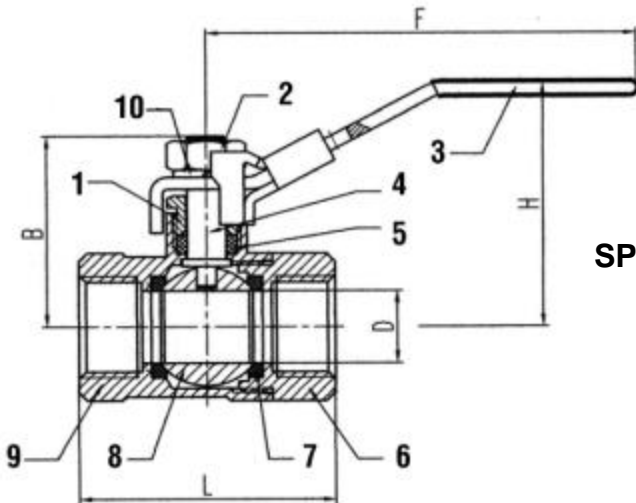
APPLICATIONS

- Commercial & Light Industrial/ Steam, Water, Oil, Gas, Air

DIMENSIONS



Size	L	D	H	F	B
1/4"	1.69	.39	1.85	3.47	1.38
3/8"	1.69	.39	1.85	3.47	1.38
1/2"	2.07	.59	1.99	3.47	1.54
3/4"	2.38	.75	2.38	2.84	1.77
1"	2.90	.99	2.54	4.65	1.93
1-1/4"	3.27	1.26	2.82	5.91	2.46
1-1/2"	3.62	1.58	3.03	5.91	2.70
2"	4.41	1.97	3.45	5.91	2.96
2-1/2"	5.99	2.56	4.59	9.06	3.78
3"	6.50	2.96	4.87	9.06	4.10
4"	7.76	3.90	5.67	10.01	4.94



MATERIAL SPECIFICATION

HANDLE DIMENSIONS

Size	L	B	H
1/4" - 1/2"	3.62	2.29	1.34
3/4" - 1"	3.78	2.36	1.69
1-1/4" - 2"	4.65	3.51	1.93

IPS No.	Part	Material
1	Gland Nut	Brass
2	Hex Nut	Steel
3	Handle	Steel
4	Stem	Brass
5	Stem Packing	Teflon
6	End Cap	Brass
7	Seat	Teflon
8	Ball	C.P. Brass
9	Body	Brass
10*	Lock Washer	Steel

*Not present on 2-1/4" valves.

MATCO-NORCA

Global sourcing. National compliance. Local service.

759TS Brass Ball Valve • Spec Sheet



FEATURES & BENEFITS

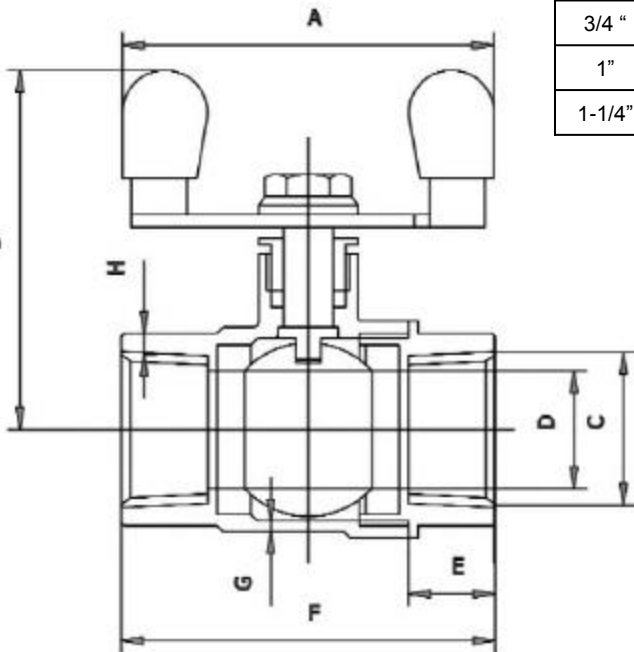
- Full Port
- Forged Brass
- Two Piece Body
- Teflon Seats
- Blow-Out Proof Stem
- Thread Ends Comply Per ANSI B2.1
- Conforms to MSS-SP-110
- 1/2" – 1-1/4" Rated: 600 PSI Non- Shock CWP – 150 PSI SWP
- CSA Gas Approved (IPS Only)

APPLICATIONS

- Commercial & Light Industrial/ Steam, Water, Oil, Gas, Air
- Stainless Steel T Handle Is Excellent For Underground & Close Quarter Applications

DIMENSIONS

Size	A	B	C	D	E	F	G	H
1/2"	2.05	1.46	0.83	0.59	0.51	2.07	0.07	0.17
3/4 "	2.36	2.27	1.04	0.75	0.55	2.38	0.07	0.14
1"	2.20	2.43	1.30	0.98	0.68	2.89	0.08	0.16
1-1/4"	3.15	2.64	1.65	1.26	0.69	3.27	0.10	0.18



MATERIAL SPECIFICATION

Part	Material	ASTM Designation
Nut	Stainless Steel	GR316
Lock Washer	Stainless Steel	GR316
Handle	Stainless Steel	GR316
Packing Nut	Brass	C377000
Packing	Teflon	PTFE
Stem	Brass	B124-C377000
Seat Ring	Teflon	PTFE
Ball	C.P. Brass	B124-C377000
End Cap	Forged Brass	B124-C377000
Body	Forged Brass	B124-C377000

 **MATCO-NORCA**
Global sourcing. National compliance. Local service.

NEW YORK PO Box 27, Rt. 22, Brewster NY 10509 • Toll Free: 800-431-2082 • Fax: 845-278-9056
TEXAS 1150 Silber Rd., Houston TX 77055 • Toll Free: 800-935-5456 • Fax: 713-680-2999
CALIFORNIA 5593 Fresca Dr., La Palma CA 90623 • Toll Free: 866-532-8306 • Fax: 866-532-8307
 WEB: www.matco-norca.com EMAIL: mail@matco-norca.com